

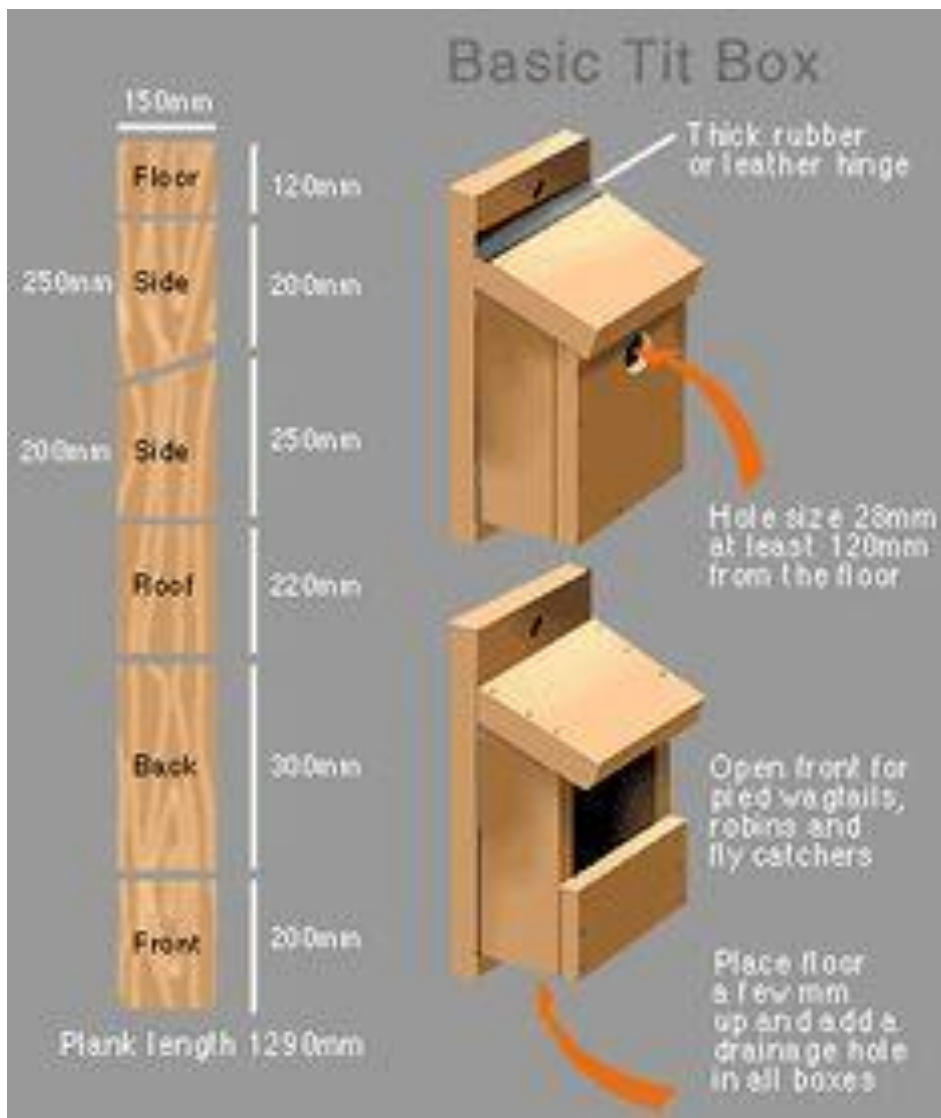
## Maun Conservation Group - Bird Boxes

If you would like to make nest boxes for us, please look at the various boxes and plans below. Thanks ☺

Points to note are:-

- For the back plate always ensure this extends above and below the box by 2-3 inches so we can easily fix the box to a tree, drilling a small nail hole will also help.
- Hinged but fixable roof good on most types, allows cleaning.
- If you can, do treat the outside only with a water based fence protection. Ideally a bit of roofing felt on the lid would be good
- Hole sizes, any from the below,
  - 25 mm for blue, coal and marsh tits
  - 28 mm for great tits, tree sparrows and pied flycatchers
  - 32 mm for house sparrows and nuthatches
  - 45 mm for starlings
  - Round slat near the back for tree creepers
  - Large opening for robins etc.
- Do also play around with the designs, shapes, hole placing. Birds will use all sort of natural holes and spaces, you might just hit on something that works better than a square box ☺
- PS, there are lots of helpful videos on you tube – have fun

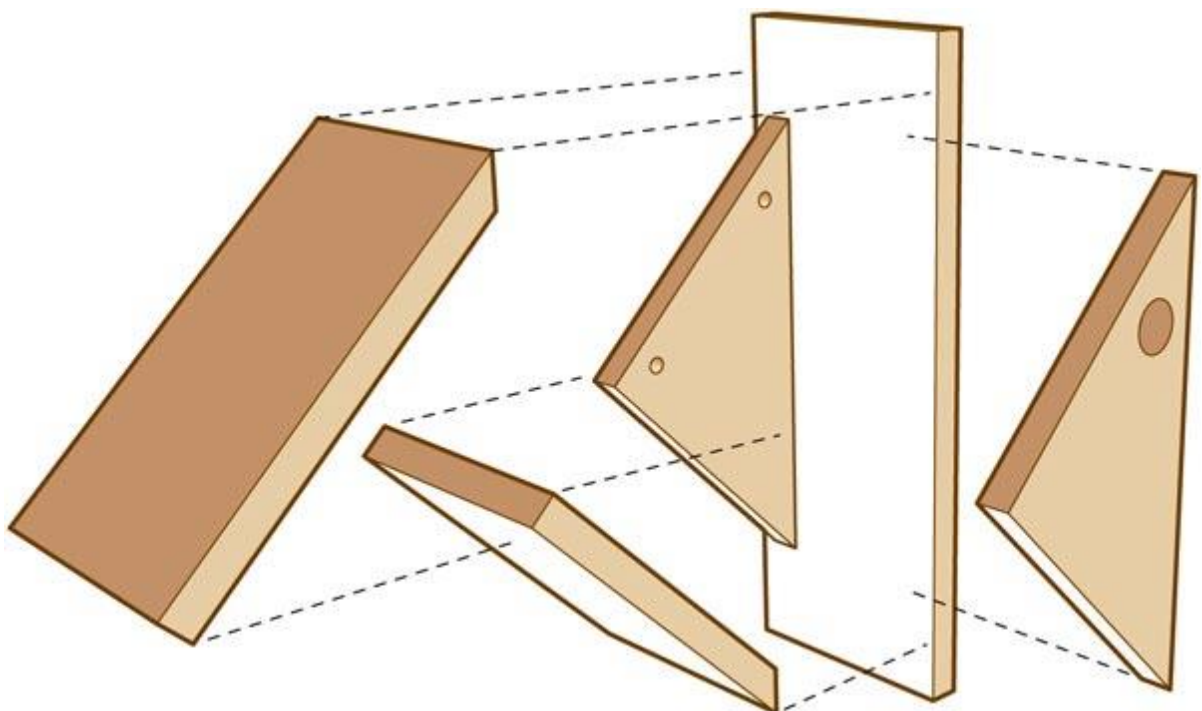
### Basic Box



**Tree Creeper (150 wide, 300 long, 125 deep (back to front))**



**Nuthatch (150 wide, 300 long, 180 deep (back to front))**



# Woodpecker

